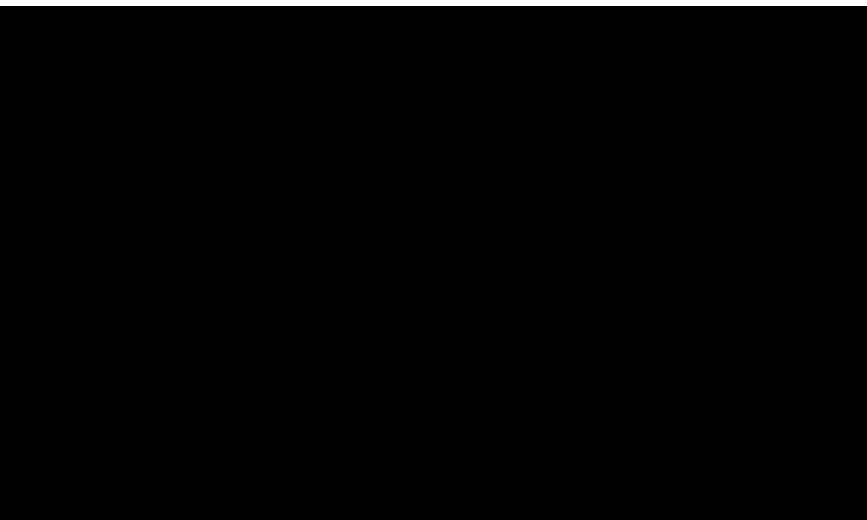
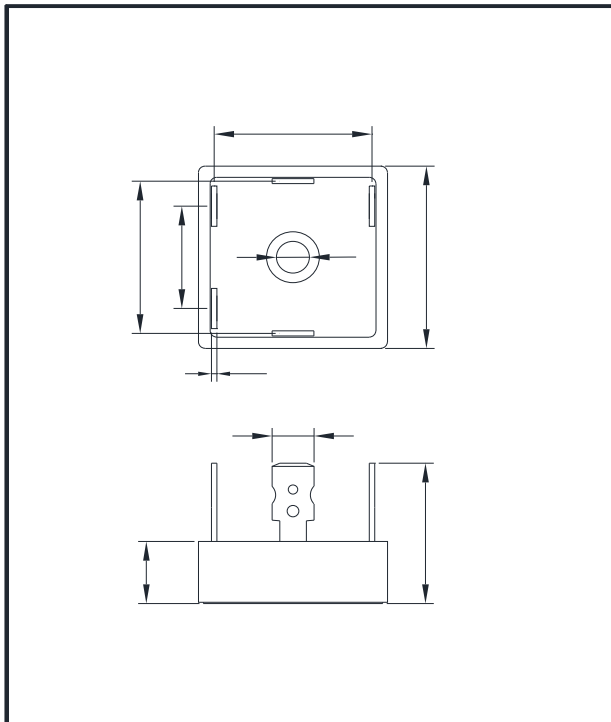
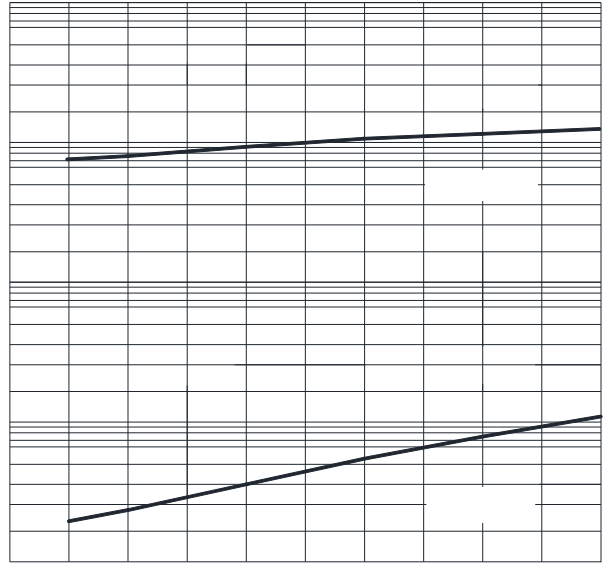
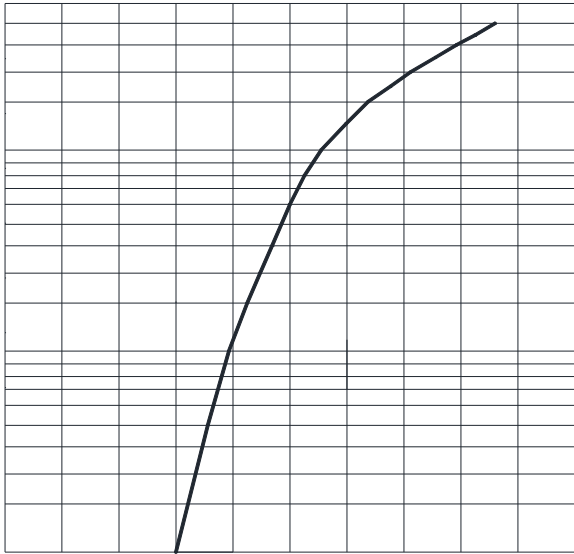


&XUUHQW VTXDUHG WLPH # PV"W" PV 7M5DWLQJ RI SHU' GLRGH	W	\$Y	
6WRUDJH WHPHUDWXUH	7VWJ	-	a
-XQFWLRQ WHPHUDWXUH	7M	-	a
'LHOHFWULF VWUHQJWK # 7HUPLQDOV WR FDVH \$&	9GLVWH9	PEXWH	
ORXQWLQJ WRUTXH #5HFRPPHQG ÖVRWTFPH	7RU	NJ	FP

% # (.







(# (

G! 7 \$, +

MU b [n \ c i MU b [W]HY W \ b W h f c m]7 c " ž @ h X "